

1020600943

VSP-223-L

Main Station - Batteryless Telephone System - 12-Way



DESCRIPTION

- 12 extensions selector switch
- Built-in relay latch timer for activation of external visible or audible 24V DC signal units
- Alarm stop button
- Noise compensated microphone
- Optical LED call indication at front (in addition to audible call signal)
- Flush mounted
- Wall mounting with corresponding metal cabinet type MBOKS
- Desk mounting with corresponding wooden cabinet type VSPK
- Suitable for installation in control rooms and noisy areas like steering gear, engine- and thruster rooms, etc

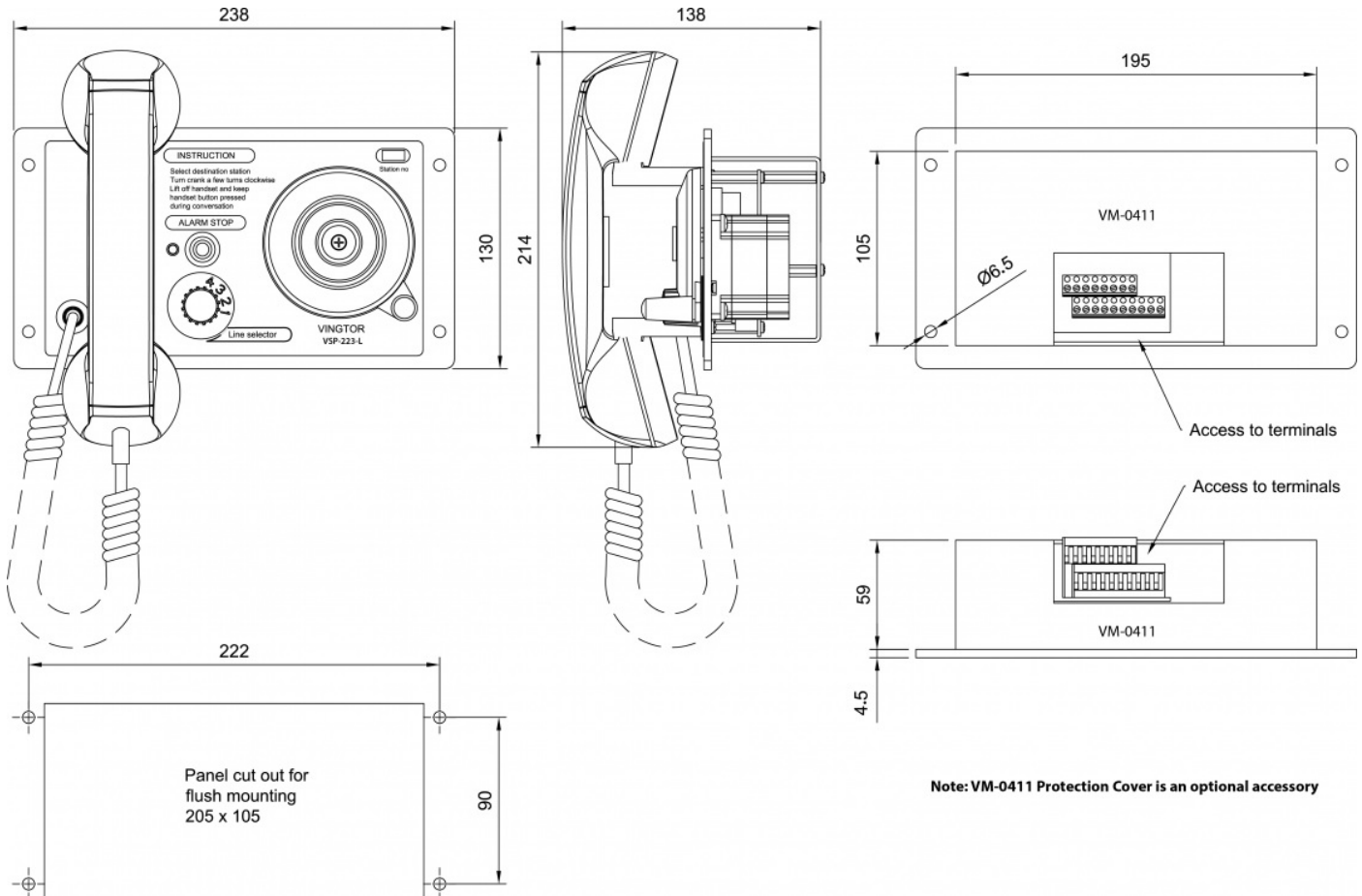
VSP-223-L is a batteryless telephone requiring no external power supply and fulfils the demands for emergency communication between vital positions. The unit is tested and type approved for internal communication for marine vessels.

SPECIFICATIONS

GENERAL

Connections	Screw terminals
Color	Black
IP rating	IP-44
Dimensions (WxHxD)	238 x 130 x 77 mm
Panel cut-out	205 x 105 mm
Weight	1.30 kg
Operating temperature range	-25°C to 55°C

TECHNICAL DIMENSIONS



ACCESSORIES



VM-0411

Item Number: 3006090492



CD-4

Item Number: 1020159000



MBOKS

Item Number: 3006090478



VSPK

Item Number: 3006200049



VSP-36-PEL

Item Number: 1020600751



VSP-36-PELP

Item Number: 1020600761



IRR-24

Item Number: 3006202045



IRR-VSP-220

Item Number: 1020600995