

3006200028

## VSP-212M-L

Main Station Panel Mounted with Relay 20-Way



### DESCRIPTION

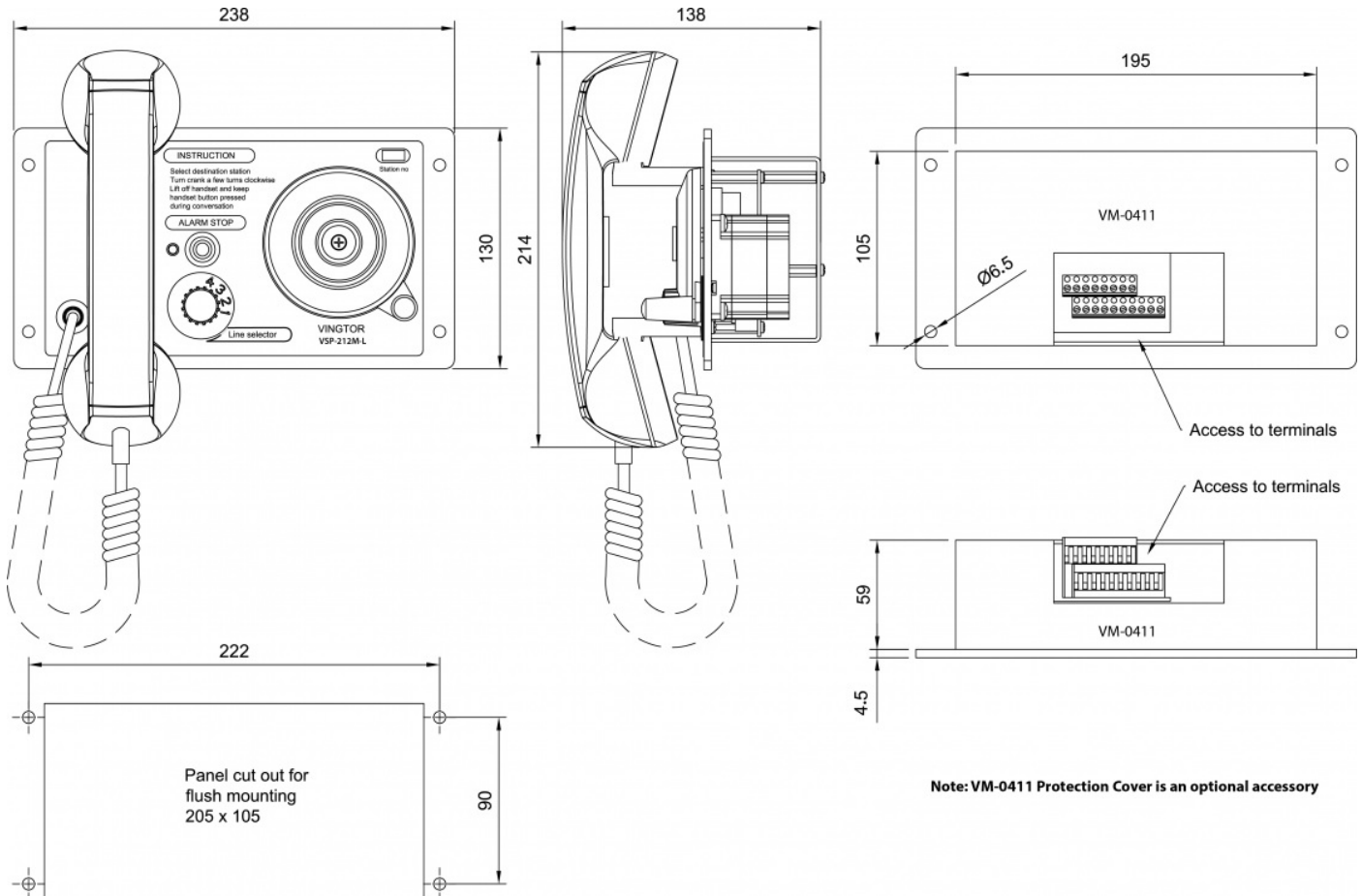
- 20 stations system
- 2 positions group selector switch
- 10 position line selector switch
- Built-in relay latch timer for activation of external visible or audible 24VDC signal units
- Alarm stop button
- Noise compensated microphone
- Optical LED call indication at front (in addition to audible call signal)
- Flush mounted
- Wall mounting with corresponding metal cabinet type MBOKS
- Desk mounting with corresponding wooden cabinet type VSPK

# SPECIFICATIONS

## GENERAL

Connections	Screw terminals
Colour	Black
IP rating	IP-44
Dimensions	238 x 130 x 77 mm
Panel cut-out	205 x 105 mm
Weight	1.30 kg
Operating temperature range	-25°C to 55°C

## TECHNICAL DIMENSIONS



## ACCESSORIES



**VM-0411**

Item Number: 3006090492



**MBOKS**

Item Number: 3006090478



**VSPK**

Item Number: 3006200049



**CD-4**

Item Number: 1020159000



**VSP-36-PEL**

Item Number: 1020600751



**VSP-36-PELP**

Item Number: 1020600761



**IRR-VSPM-24**

Item Number: 3006200005



**IRR-VSPM-220**

Item Number: 3006200004