

3006200025

## VSP-211M-L

Main Station - Batteryless Telephone System 20-Way



### DESCRIPTION

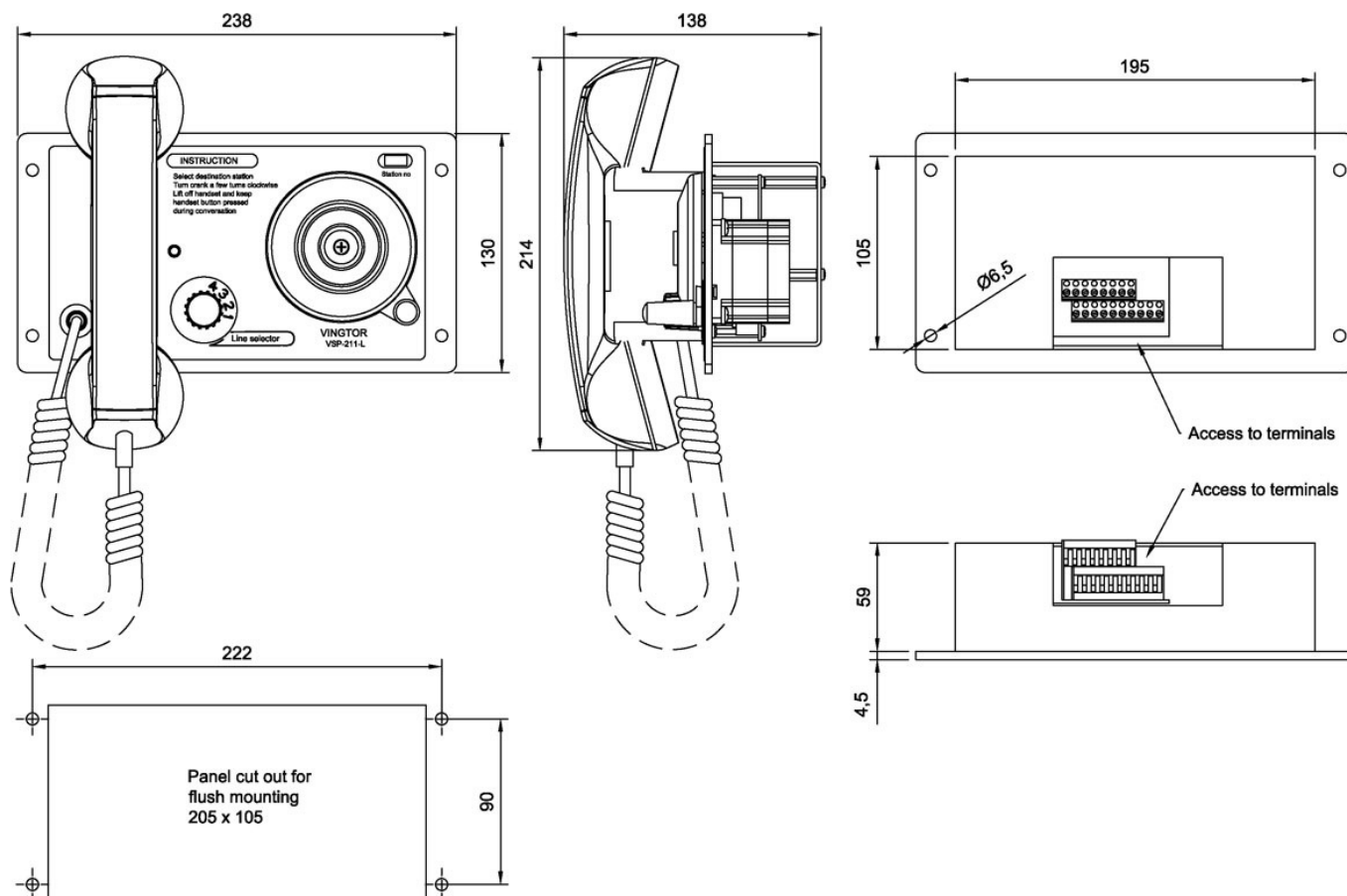
- 20 extension system
- 2 positions group selector switch
- 10 extension line selector switch
- Built-in system amplifier w/ capacitor battery
- Has terminals for auxiliary 24V DC when used as Common Battery Telephones.
- To avoid noise problems, the 24V DC must be supplied via a DC/DC converter
- LED call indication in front
- Flush mounted
- Wall mounting with corresponding metal cabinet type MBOKS
- Desk mounting with corresponding wooden cabinet type VSPK
- Suitable for installation in wheelhouse and control room

# SPECIFICATIONS

## GENERAL

|                             |  |
|-----------------------------|--|
| Connections                 | Screw terminals                                    |
| Color                       | Black  |
| IP rating                   | IP-44  |
| Dimensions                  | 238 x 205 x 137 mm (w/ handset and built-in depth) |
| Panel cut-out               | 205 x 105 mm                                       |
| Weight                      | 1.30 kg  |
| Operating temperature range | -25°C to 55°C                                      |

## TECHNICAL DIMENSIONS



## ACCESSORIES



**MBOKS**

Item Number: 3006090478



**VSPK**

Item Number: 3006200049



**CD-4**

Item Number: 1020159000



**VSP-36-PEL**

Item Number: 1020600751



**VSP-36-PELP**

Item Number: 1020600761



**IRR-VSPM-24**

Item Number: 3006200005



**IRR-VSPM-220**

Item Number: 3006200004